

The **KARAVAN** Difference



KARAVAN

Contents

Trailer size

[7x18](#)

[7x13](#)

[6x12](#)

[6x10](#)

[5x10](#)

[5x8](#)

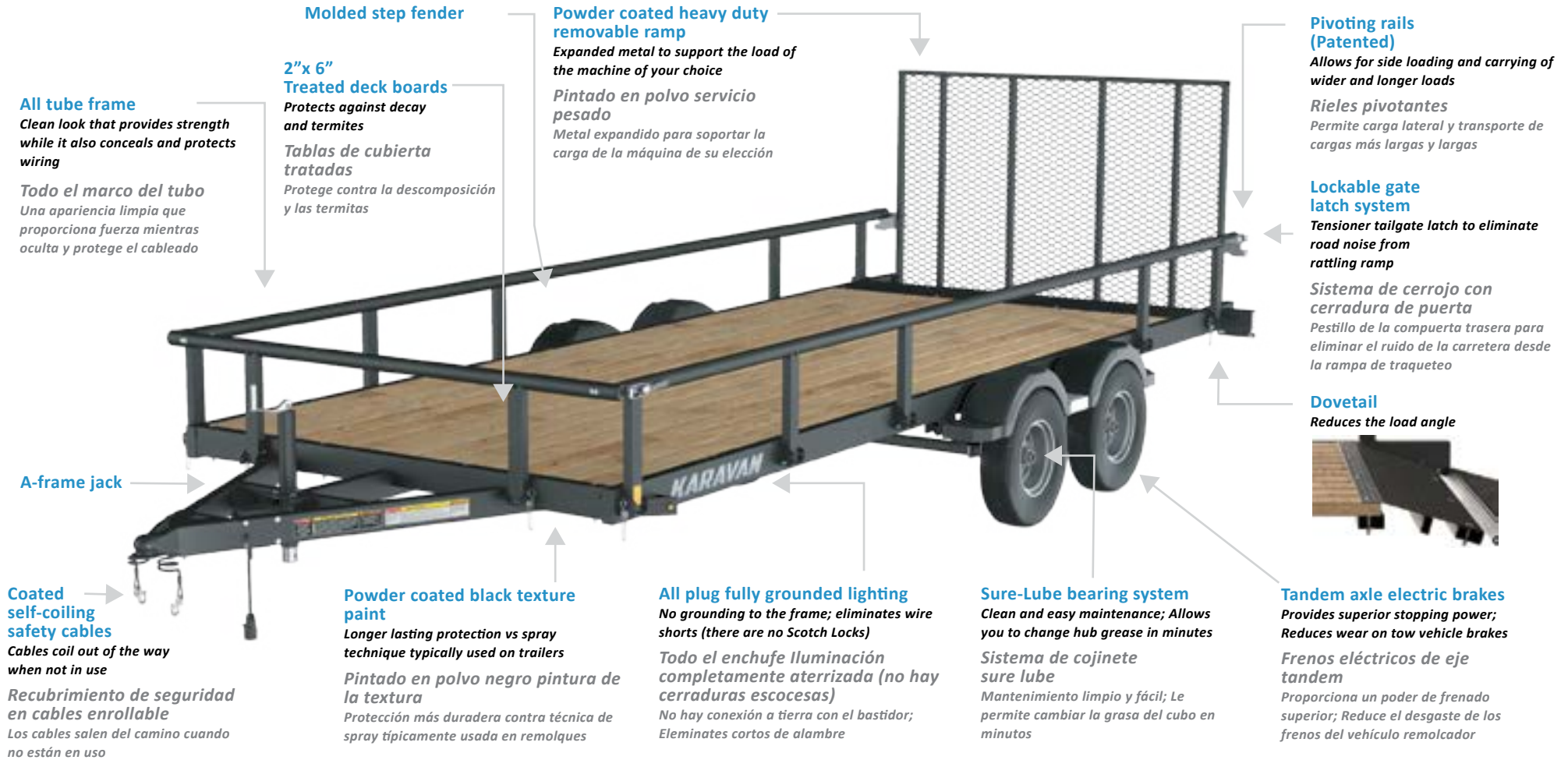
KARAVAN

Intentionally left blank

7 x 18

Model Number:
2990-82-13

KARAVAN



SPECIFICATIONS

ESPECIFICACIÓN

Specifications are subject to change. Las especificaciones están sujetas a cambios

Overall Width / Length Ancho promedio/Longitud	102" / 270" 259.1 cm / 685.8 cm
Bed Width / Length Ancho de cama/Longitud	81.5" x 216" 207.0 cm x 548.6 cm
Tailgate Height Altura del portón trasero	49" 124.4 cm

Tailgate Capacity Capacidad del portón trasero	2375 lbs 1077.3 kg
Hitch Ball Size Tamaño de la bola de enganche	2-5/16" 5.87 cm
Tire Size Tamaño de llanta	ST185/80R13D ST185/80R13D

Trailer Weight Peso del remolque	1750 lbs 793.8 kg
GVWR Peso bruto del vehículo	6500 lbs 2948.3 kg
Payload Capacity Capacidad de carga útil	4750 lbs 2154.6 kg

KARAVAN

Karavan Trailers, Inc. Warranty Policy

Please register your trailer online at www.karavantrailers.com

A complete Owner's Manual is available online in the Advice & Support / General area. Warranty claims should be submitted online and requests for additional help may also be entered via our website.

When contacting Karavan, please reference the trailer area where help is needed using number guide below.

Karavan Trailers, Inc. warrants each new Karavan Trailer to be free from defects in materials and workmanship for a period of one (1) year from date of purchase or two (2) years from the date of manufacture. Karavan Trailers shall repair or replace, without charge, any parts found to be defective because of imperfect workmanship or materials within a reasonable time after the trailer is returned at purchaser's expense to any Karavan Trailers authorized distributor or dealer. Karavan Trailers will have a limited lifetime warranty against manufacturer defects on the frame.

Who is covered?

This warranty is extended to the original purchaser only and does not extend to any other persons to whom the trailer may be transferred.

Purchased parts such as lights, tongue jacks, and springs are covered based on the manufacturer's discretion.

Warranty on tires shall be made through the nearest representative for the tires.

What is not covered?

Any items that were found modified or altered in any way; nor shall the warranty apply to any defect or malfunction which was caused by damage, unreasonable use, or failure to provide reasonable and necessary maintenance.

The warranty will not cover damage caused by overloading the trailer beyond stated capacities or the use of improperly installed weight distribution hitches in conjunction with hydraulic surge brakes.

Due to the highly corrosive conditions a trailer is exposed to, rust formation is not covered.

Other limitations

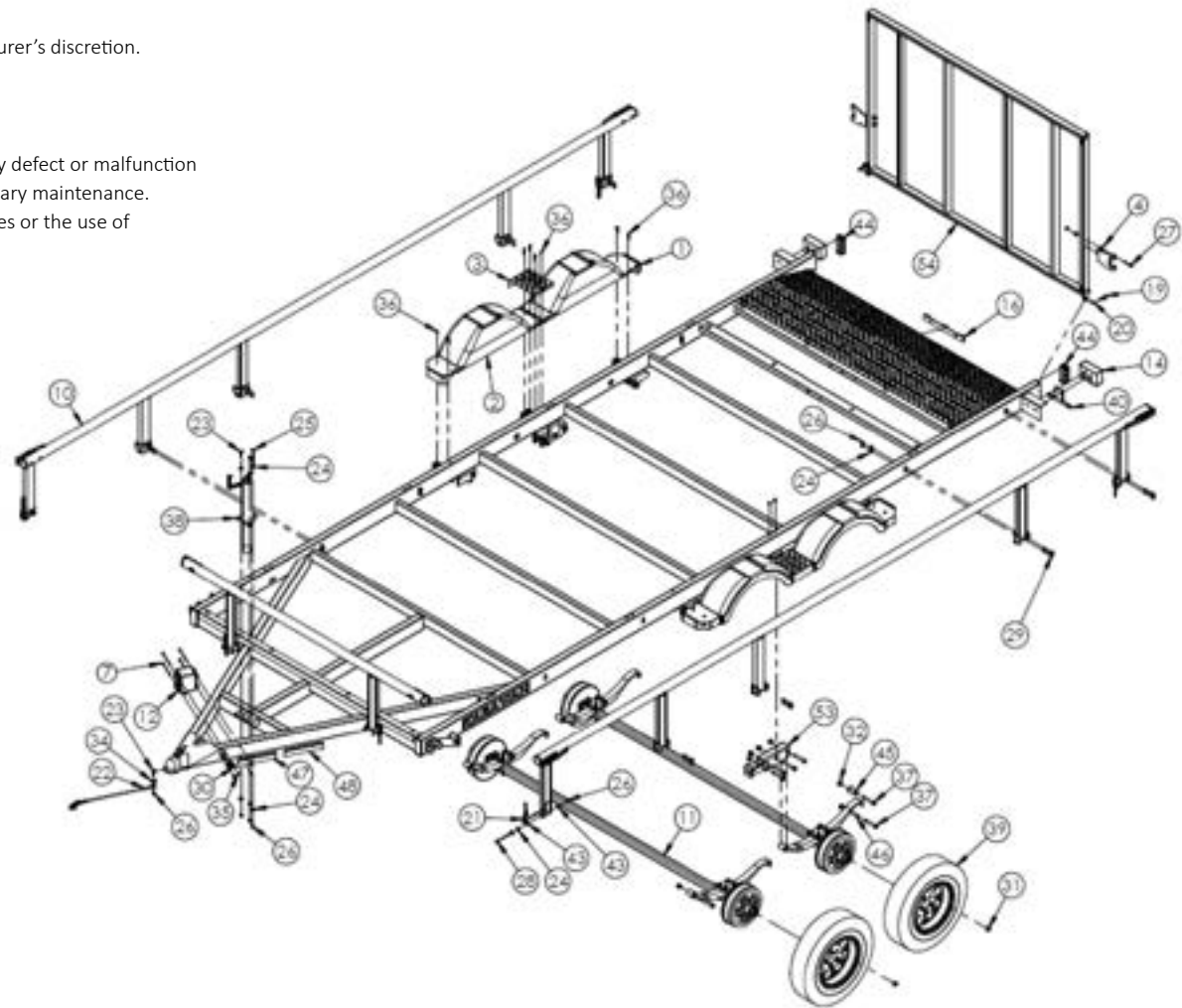
Races, bearings and seals are covered for 180 days from date of purchase. Any implied warranties, obligations, or liabilities, including but not limited to, any implied warranty of merchantability, shall be limited in duration to the two-year duration of the written limited warranty.

Some states do not allow limitation on how long an implied warranty lasts, so the above limitation may not apply to you. The use of any unit as part of a rental fleet, or use for commercial purposes voids this warranty.

The following are exclusions of Karavan Trailers Warranty:

- Loss of time
- Towing charges
- Lodging
- Gas
- Inconvenience
- Travel expenses
- Telephone
- Loss or damage to personal property or loss of wages

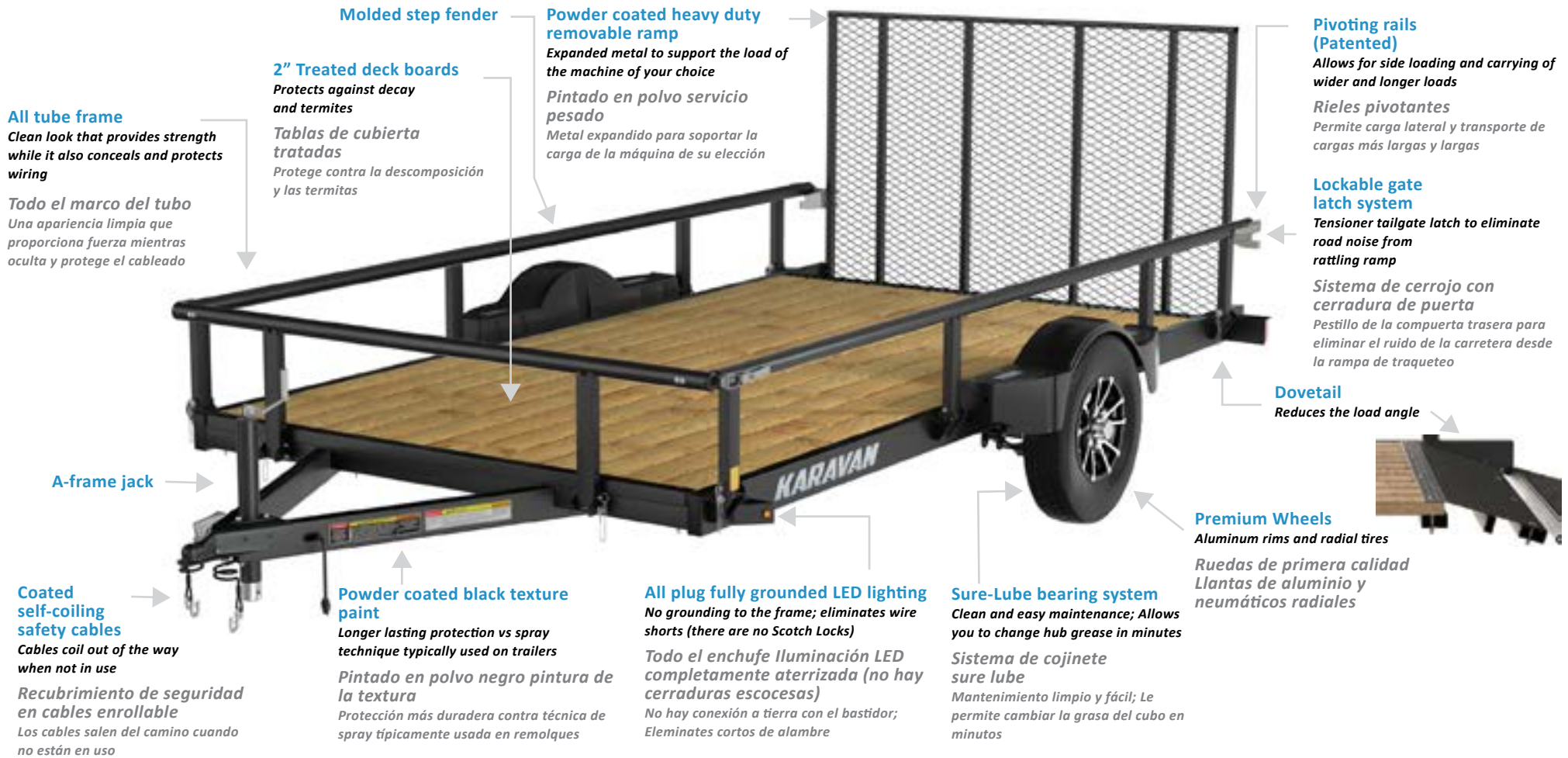
Karavan Trailers, Inc. shall not be liable for any incidental or consequential damages for breach of this or any other warranty expressed or implied.



7 x 13

Model Number:
2990-82-13

KARAVAN



All tube frame
Clean look that provides strength while it also conceals and protects wiring

Todo el marco del tubo
Una apariencia limpia que proporciona fuerza mientras oculta y protege el cableado

2" Treated deck boards
Protects against decay and termites
Tablas de cubierta tratadas
Protege contra la descomposición y las termitas

Powder coated heavy duty removable ramp
Expanded metal to support the load of the machine of your choice
Pintado en polvo servicio pesado
Metal expandido para soportar la carga de la máquina de su elección

Pivoting rails (Patented)
Allows for side loading and carrying of wider and longer loads
Rieles pivotantes
Permite carga lateral y transporte de cargas más largas y largas

Lockable gate latch system
Tensioner tailgate latch to eliminate road noise from rattling ramp
Sistema de cerrojo con cerradura de puerta
Pestillo de la compuerta trasera para eliminar el ruido de la carretera desde la rampa de traqueteo

Dovetail
Reduces the load angle



Premium Wheels
Aluminum rims and radial tires
Ruedas de primera calidad
Llantas de aluminio y neumáticos radiales

A-frame jack

Coated self-coiling safety cables
Cables coil out of the way when not in use
Recubrimiento de seguridad en cables enrollable
Los cables salen del camino cuando no están en uso

Powder coated black texture paint
Longer lasting protection vs spray technique typically used on trailers
Pintado en polvo negro pintura de la textura
Protección más duradera contra técnica de spray típicamente usada en remolques

All plug fully grounded LED lighting
No grounding to the frame; eliminates wire shorts (there are no Scotch Locks)
Todo el enchufe Iluminación LED completamente aterrizada (no hay cerraduras escocesas)
No hay conexión a tierra con el bastidor; Eliminate cortos de alambre

Sure-Lube bearing system
Clean and easy maintenance; Allows you to change hub grease in minutes
Sistema de cojinete sure lube
Mantenimiento limpio y fácil; Le permite cambiar la grasa del cubo en minutos

SPECIFICATIONS

ESPECIFICACIÓN

Specifications are subject to change. Las especificaciones están sujetas a cambios

Overall Width / Length <i>Ancho promedio/Longitud</i>	102" / 204" 259.1 cm / 518.2 cm
Bed Width / Length <i>Ancho de cama/Longitud</i>	81.5" x 156" 207.0 cm x 396.2 cm
Tailgate Height <i>Altura del portón trasero</i>	49" 124.4 cm

Tailgate Capacity <i>Capacidad del portón trasero</i>	1856 lbs 841.9 kg
Hitch Ball Size <i>Tamaño de la bola de enganche</i>	2" 5.1 cm
Tire Size <i>Tamaño de llanta</i>	ST205/75R14C ST205/75R14C

Trailer Weight <i>Peso del remolque</i>	1139 lbs 516.6 kg
GVWR <i>Peso bruto del vehículo</i>	2995 lbs 1358.5 kg
Payload Capacity <i>Capacidad de carga útil</i>	1856 lbs 841.9 kg

KARAVAN

Karavan Trailers, LLC Warranty Policy

Please register your trailer online at www.karavantrailers.com

A complete Owner's Manual is available online in the Advice & Support / General area. Warranty claims should be submitted online and requests for additional help may also be entered via our website.

When contacting Karavan, please reference the trailer area where help is needed using number guide below.

Karavan Trailers, LLC warrants each new Karavan Trailer to be free from defects in materials and workmanship for a period of one (1) year from date of purchase or two (2) years from the date of manufacture. Karavan Trailers shall repair or replace, without charge, any parts found to be defective because of imperfect workmanship or materials within a reasonable time after the trailer is returned at purchaser's expense to any Karavan Trailers authorized distributor or dealer. Karavan Trailers will have a limited lifetime warranty against manufacturer defects on the frame.

Who is covered?

This warranty is extended to the original purchaser only and does not extend to any other persons to whom the trailer may be transferred.

Purchased parts such as lights, tongue jacks, and springs are covered based on the manufacturer's discretion.

Warranty on tires shall be made through the nearest representative for the tires.

What is not covered?

Any items that were found modified or altered in any way; nor shall the warranty apply to any defect or malfunction which was caused by damage, unreasonable use, or failure to provide reasonable and necessary maintenance.

The warranty will not cover damage caused by overloading the trailer beyond stated capacities or the use of improperly installed weight distribution hitches in conjunction with hydraulic surge brakes.

Due to the highly corrosive conditions a trailer is exposed to, rust formation is not covered.

Other limitations

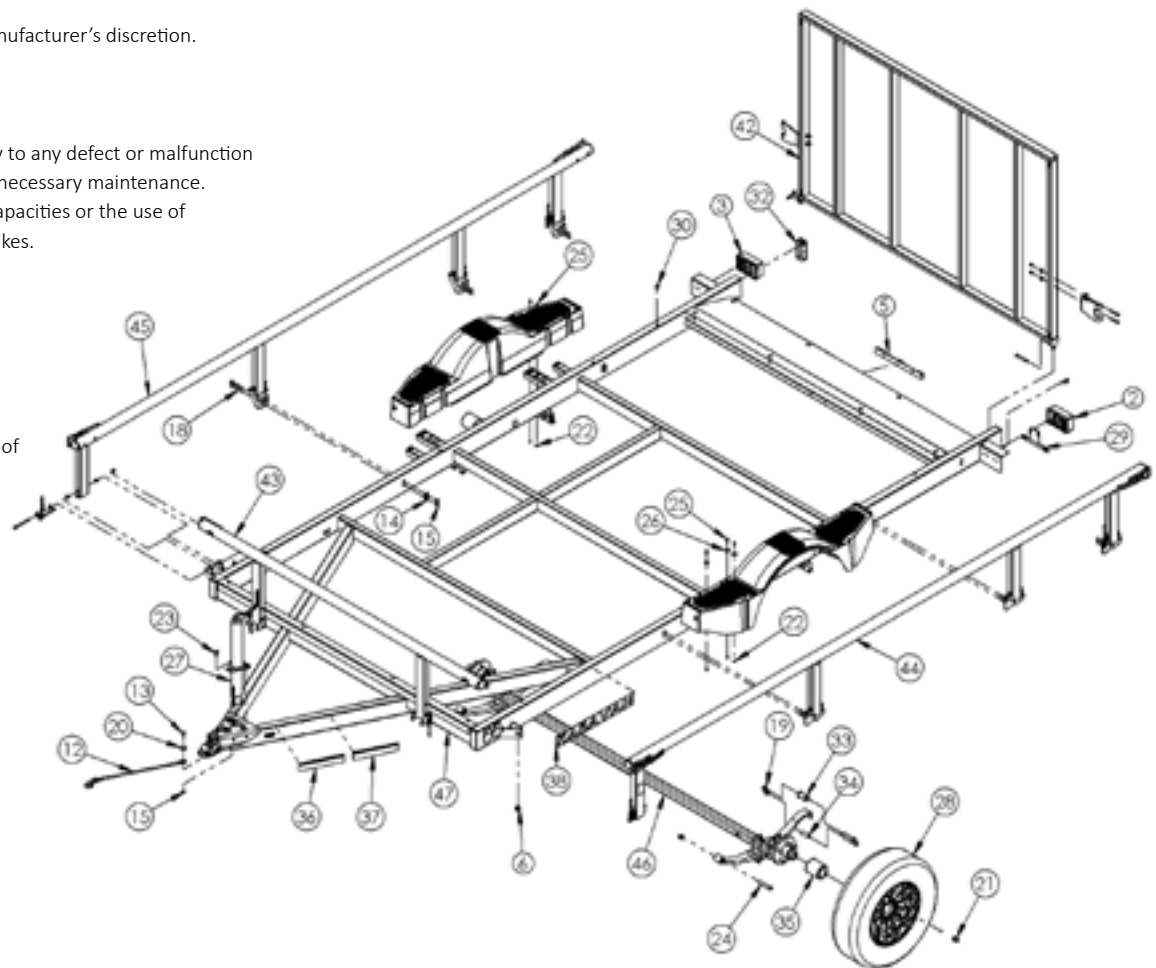
Races, bearings and seals are covered for 180 days from date of purchase. Any implied warranties, obligations, or liabilities, including but not limited to, any implied warranty of merchantability, shall be limited in duration to the two-year duration of the written limited warranty.

Some states do not allow limitation on how long an implied warranty lasts, so the above limitation may not apply to you. The use of any unit as part of a rental fleet, or use for commercial purposes voids this warranty.

The following are exclusions of Karavan Trailers Warranty:

- Loss of time
- Lodging
- Inconvenience
- Telephone
- Towing charges
- Gas
- Travel expenses
- Loss or damage to personal property or loss of wages

Karavan Trailers, LLC shall not be liable for any incidental or consequential damages for breach of this or any other warranty expressed or implied.



KARAVAN

Karavan Trailers, Inc. Warranty Policy

Please register your trailer online at www.karavantrailers.com

A complete Owner's Manual is available online in the Advice & Support / General area. Warranty claims should be submitted online and requests for additional help may also be entered via our website.

When contacting Karavan, please reference the trailer area where help is needed using number guide below.

Karavan Trailers, Inc. warrants each new Karavan Trailer to be free from defects in materials and workmanship for a period of one (1) year from date of purchase or two (2) years from the date of manufacture. Karavan Trailers shall repair or replace, without charge, any parts found to be defective because of imperfect workmanship or materials within a reasonable time after the trailer is returned at purchaser's expense to any Karavan Trailers authorized distributor or dealer. Karavan Trailers will have a limited lifetime warranty against manufacturer defects on the frame.

Who is covered?

This warranty is extended to the original purchaser only and does not extend to any other persons to whom the trailer may be transferred.

Purchased parts such as lights, tongue jacks, and springs are covered based on the manufacturer's discretion.

Warranty on tires shall be made through the nearest representative for the tires.

What is not covered?

Any items that were found modified or altered in any way; nor shall the warranty apply to any defect or malfunction which was caused by damage, unreasonable use, or failure to provide reasonable and necessary maintenance.

The warranty will not cover damage caused by overloading the trailer beyond stated capacities or the use of improperly installed weight distribution hitches in conjunction with hydraulic surge brakes.

Due to the highly corrosive conditions a trailer is exposed to, rust formation is not covered.

Other limitations

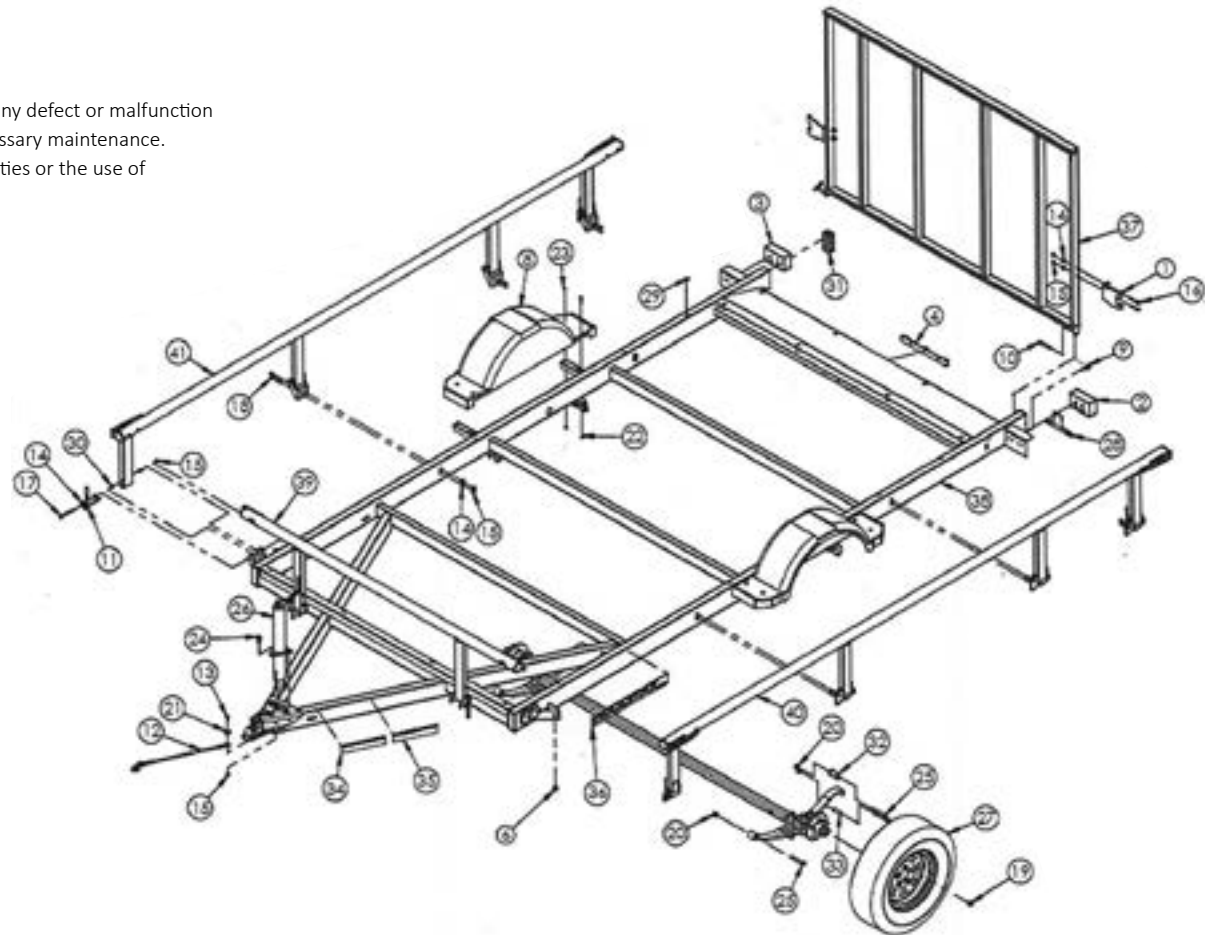
Races, bearings and seals are covered for 180 days from date of purchase. Any implied warranties, obligations, or liabilities, including but not limited to, any implied warranty of merchantability, shall be limited in duration to the two-year duration of the written limited warranty.

Some states do not allow limitation on how long an implied warranty lasts, so the above limitation may not apply to you. The use of any unit as part of a rental fleet, or use for commercial purposes voids this warranty.

The following are exclusions of Karavan Trailers Warranty:

- Loss of time
- Towing charges
- Lodging
- Gas
- Inconvenience
- Travel expenses
- Telephone
- Loss or damage to personal property or loss of wages

Karavan Trailers, Inc. shall not be liable for any incidental or consequential damages for breach of this or any other warranty expressed or implied.



6x12

Model Number:
2990-72-12

KARAVAN



Molded step fender

2" Treated deck boards
Protects against decay and termites

Tablas de cubierta tratadas
Protege contra la descomposición y las termitas

Powder coated heavy duty removable ramp

Expanded metal to support the load of the machine of your choice

Pintado en polvo servicio pesado
Metal expandido para soportar la carga de la máquina de su elección

Pivoting rails (Patented)

Allows for side loading and carrying of wider and longer loads

Rieles pivotantes
Permite carga lateral y transporte de cargas más largas y largas

Lockable gate latch system

Tensioner tailgate latch to eliminate road noise from rattling ramp

Sistema de cerrojo con cerradura de puerta
Pestillo de la compuerta trasera para eliminar el ruido de la carretera desde la rampa de traqueteo

Sure-Lube bearing system

Clean and easy maintenance; Allows you to change hub grease in minutes

Sistema de cojinete sure lube
Mantenimiento limpio y fácil; Le permite cambiar la grasa del cubo en minutos

Premium Wheels

Aluminum rims and radial tires

Ruedas de primera calidad
Llantas de aluminio y neumáticos radiales

All plug fully grounded LED lighting

No grounding to the frame; eliminates wire shorts (there are no Scotch Locks)

Todo el enchufe iluminación LED completamente aterrizada (no hay cerraduras escocesas)

No hay conexión a tierra con el bastidor; Eliminate cortos de alambre

Powder coated black texture paint

Longer lasting protection vs spray technique typically used on trailers

Pintado en polvo negro pintura de la textura

Protección más duradera contra técnica de spray típicamente usada en remolques

Coated self-coiling safety cables

Cables coil out of the way when not in use

Recubrimiento de seguridad en cables enrollable

Los cables salen del camino cuando no están en uso

SPECIFICATIONS

ESPECIFICACIÓN

Specifications are subject to change. Las especificaciones están sujetas a cambios

Overall Width / Length
Ancho promedio/Longitud

96" / 192"
243.8 cm / 487.7 cm

Bed Width / Length
Ancho de cama/Longitud

74" x 144"
180.0 cm x 365.7 cm

Tailgate Height
Altura del portón trasero

49"
124.4 cm

Tailgate Capacity
Capacidad del portón trasero

2023 lbs
917.6 kg

Hitch Ball Size
Tamaño de la bola de enganche

2"
5.1 cm

Tire Size
Tamaño de llanta

ST205/75R14C
ST205/75R14C

Trailer Weight
Peso del remolque

967 lbs
438.6 kg

GVWR
Peso bruto del vehículo

2990 lbs
1356.2 kg

Payload Capacity
Capacidad de carga útil

2023 lbs
917.6 kg

KARAVAN

Karavan Trailers, LLC Warranty Policy

Please register your trailer online at www.karavantrailers.com

A complete Owner's Manual is available online in the Advice & Support / General area. Warranty claims should be submitted online and requests for additional help may also be entered via our website.

When contacting Karavan, please reference the trailer area where help is needed using number guide below.

Karavan Trailers, LLC warrants each new Karavan Trailer to be free from defects in materials and workmanship for a period of one (1) year from date of purchase or two (2) years from the date of manufacture. Karavan Trailers shall repair or replace, without charge, any parts found to be defective because of imperfect workmanship or materials within a reasonable time after the trailer is returned at purchaser's expense to any Karavan Trailers authorized distributor or dealer. Karavan Trailers will have a limited lifetime warranty against manufacturer defects on the frame.

Who is covered?

This warranty is extended to the original purchaser only and does not extend to any other persons to whom the trailer may be transferred.

Purchased parts such as lights, tongue jacks, and springs are covered based on the manufacturer's discretion.

Warranty on tires shall be made through the nearest representative for the tires.

What is not covered?

Any items that were found modified or altered in any way; nor shall the warranty apply to any defect or malfunction which was caused by damage, unreasonable use, or failure to provide reasonable and necessary maintenance.

The warranty will not cover damage caused by overloading the trailer beyond stated capacities or the use of improperly installed weight distribution hitches in conjunction with hydraulic surge brakes.

Due to the highly corrosive conditions a trailer is exposed to, rust formation is not covered.

Other limitations

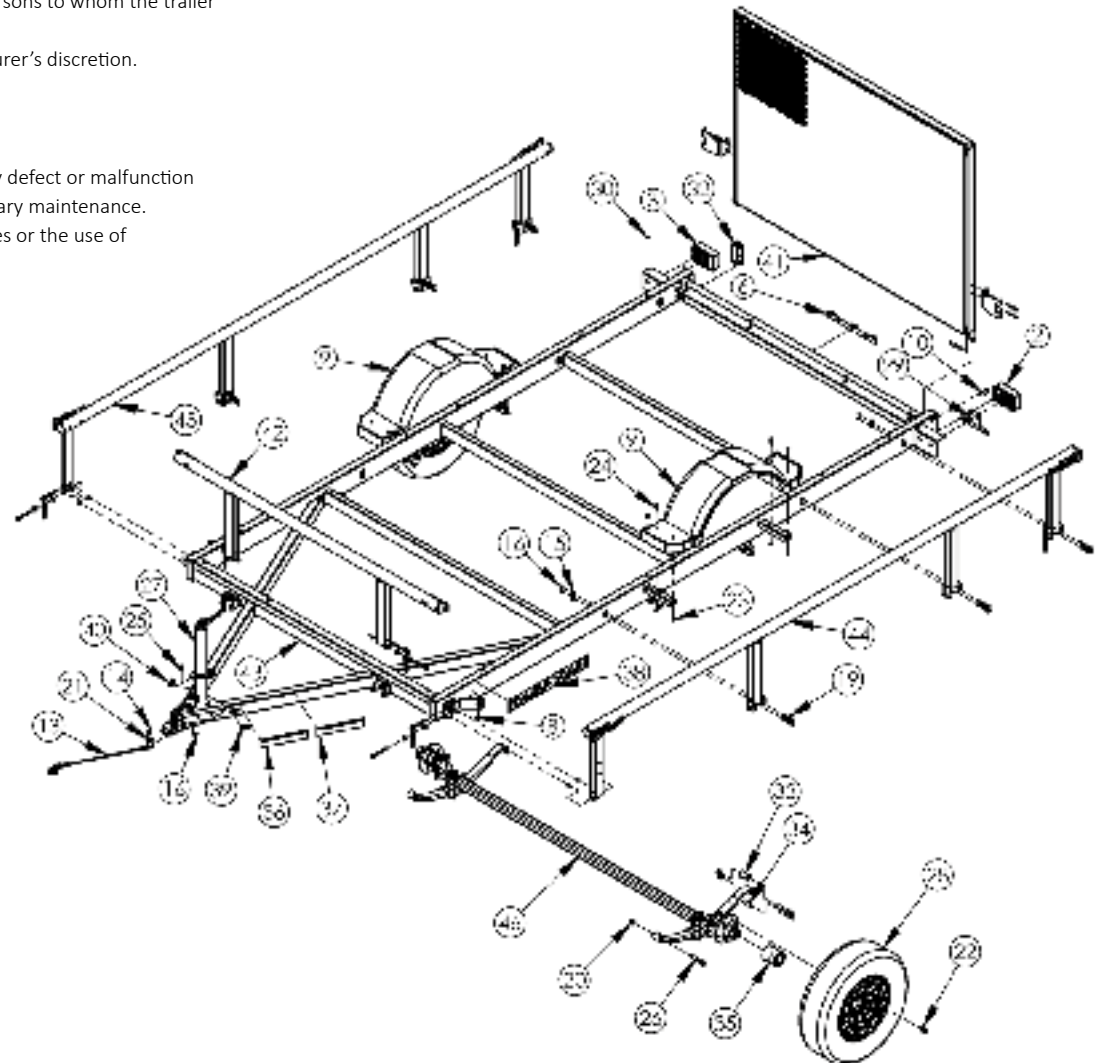
Races, bearings and seals are covered for 180 days from date of purchase. Any implied warranties, obligations, or liabilities, including but not limited to, any implied warranty of merchantability, shall be limited in duration to the two-year duration of the written limited warranty.

Some states do not allow limitation on how long an implied warranty lasts, so the above limitation may not apply to you. The use of any unit as part of a rental fleet, or use for commercial purposes voids this warranty.

The following are exclusions of Karavan Trailers Warranty:

- Loss of time
- Lodging
- Inconvenience
- Telephone
- Towing charges
- Gas
- Travel expenses
- Loss or damage to personal property or loss of wages

Karavan Trailers, LLC shall not be liable for any incidental or consequential damages for breach of this or any other warranty expressed or implied.



6 x 12

Model Number:
2990-72-12

KARAVAN



Molded step fender

2" x 6" Treated deck boards
Protects against decay and termites

Tablas de cubierta tratadas
Protege contra la descomposición y las termitas

Powder coated heavy duty removable ramp

Expanded metal to support the load of the machine of your choice

Pintado en polvo servicio pesado
Metal expandido para soportar la carga de la máquina de su elección

Pivoting rails (Patented)

Allows for side loading and carrying of wider and longer loads

Rieles pivotantes
Permite carga lateral y transporte de cargas más largas y largas

All tube frame

Clean look that provides strength while it also conceals and protects wiring

Todo el marco del tubo
Una apariencia limpia que proporciona fuerza mientras oculta y protege el cableado

Lockable gate latch system

Tensioner tailgate latch to eliminate road noise from rattling ramp

Sistema de cerrojo con cerradura de puerta

Pestillo de la compuerta trasera para eliminar el ruido de la carretera desde la rampa de traqueteo

A-frame jack

Coated self-coiling safety cables

Cables coil out of the way when not in use
Recubrimiento de seguridad en cables enrollable
Los cables salen del camino cuando no están en uso

Powder coated black texture paint

Longer lasting protection vs spray technique typically used on trailers

Pintado en polvo negro pintura de la textura

Protección más duradera contra técnica de spray típicamente usada en remolques

All plug fully grounded lighting

No grounding to the frame; eliminates wire shorts (there are no Scotch Locks)

Todo el enchufe Iluminación completamente aterrizada (no hay cerraduras escocesas)

No hay conexión a tierra con el bastidor; Eliminate cortos de alambre

Sure-Lube bearing system

Clean and easy maintenance; Allows you to change hub grease in minutes

Sistema de cojinete sure lube

Mantenimiento limpio y fácil; Le permite cambiar la grasa del cubo en minutos

SPECIFICATIONS

ESPECIFICACIÓN

Specifications are subject to change. Las especificaciones están sujetas a cambios

Overall Width / Length
Ancho promedio/Longitud

96" / 192"
243.8 cm / 487.7 cm

Bed Width / Length
Ancho de cama/Longitud

74" x 144"
180.0 cm x 365.7 cm

Tailgate Height
Altura del portón trasero

49"
124.4 cm

Tailgate Capacity
Capacidad del portón trasero

2023 lbs
917.6 kg

Hitch Ball Size
Tamaño de la bola de enganche

2"
5.1 cm

Tire Size
Tamaño de llanta

ST215/75D14C
ST215/75D14C

Trailer Weight
Peso del remolque

967 lbs
438.6 kg

GVWR
Peso bruto del vehículo

2990 lbs
1356.2 kg

Payload Capacity
Capacidad de carga útil

2023 lbs
917.6 kg

KARAVAN

Karavan Trailers, Inc. Warranty Policy

Please register your trailer online at www.karavantrailers.com

A complete Owner's Manual is available online in the Advice & Support / General area. Warranty claims should be submitted online and requests for additional help may also be entered via our website.

When contacting Karavan, please reference the trailer area where help is needed using number guide below.

Karavan Trailers, Inc. warrants each new Karavan Trailer to be free from defects in materials and workmanship for a period of one (1) year from date of purchase or two (2) years from the date of manufacture. Karavan Trailers shall repair or replace, without charge, any parts found to be defective because of imperfect workmanship or materials within a reasonable time after the trailer is returned at purchaser's expense to any Karavan Trailers authorized distributor or dealer. Karavan Trailers will have a limited lifetime warranty against manufacturer defects on the frame.

Who is covered?

This warranty is extended to the original purchaser only and does not extend to any other persons to whom the trailer may be transferred.

Purchased parts such as lights, tongue jacks, and springs are covered based on the manufacturer's discretion.

Warranty on tires shall be made through the nearest representative for the tires.

What is not covered?

Any items that were found modified or altered in any way; nor shall the warranty apply to any defect or malfunction which was caused by damage, unreasonable use, or failure to provide reasonable and necessary maintenance.

The warranty will not cover damage caused by overloading the trailer beyond stated capacities or the use of improperly installed weight distribution hitches in conjunction with hydraulic surge brakes.

Due to the highly corrosive conditions a trailer is exposed to, rust formation is not covered.

Other limitations

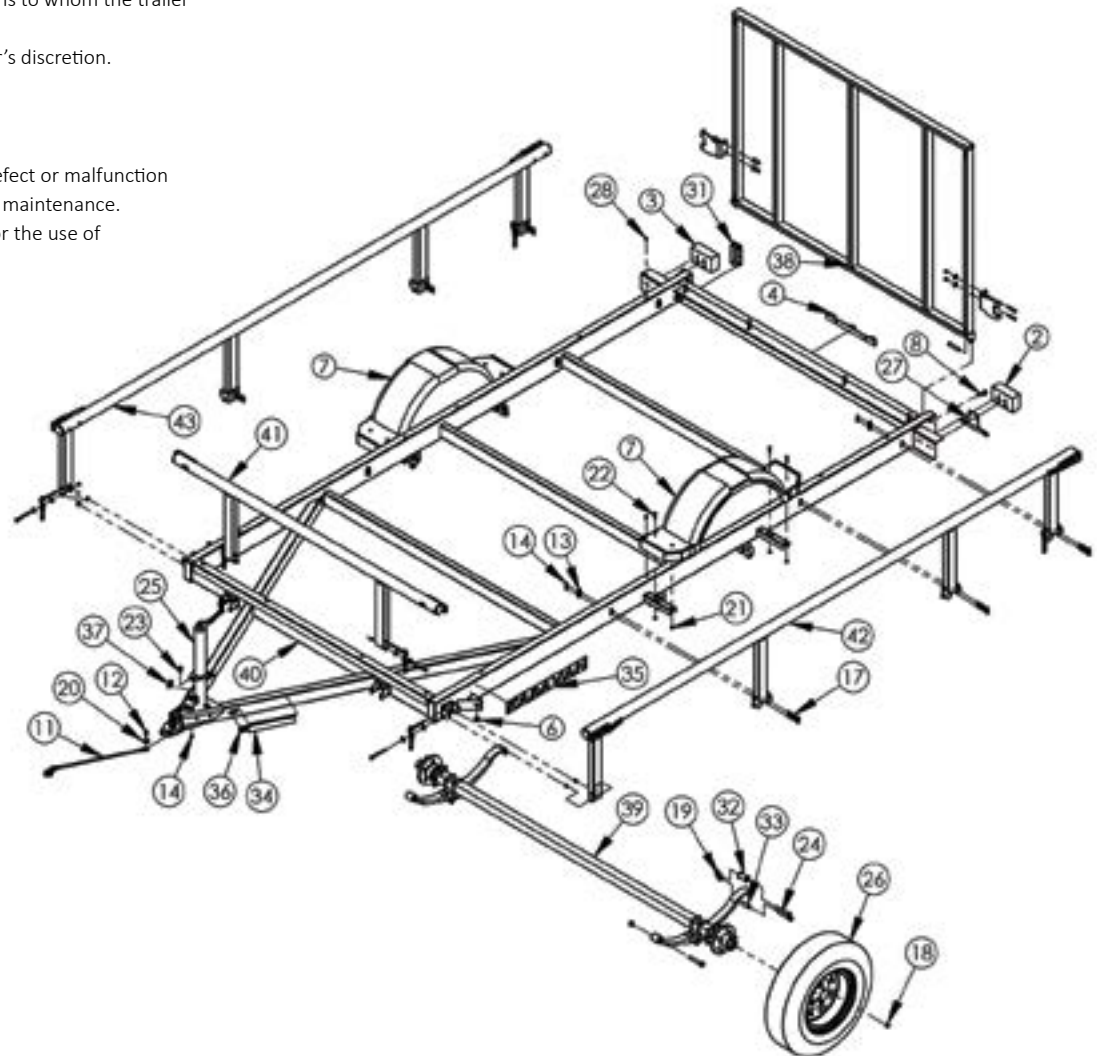
Races, bearings and seals are covered for 180 days from date of purchase. Any implied warranties, obligations, or liabilities, including but not limited to, any implied warranty of merchantability, shall be limited in duration to the two-year duration of the written limited warranty.

Some states do not allow limitation on how long an implied warranty lasts, so the above limitation may not apply to you. The use of any unit as part of a rental fleet, or use for commercial purposes voids this warranty.

The following are exclusions of Karavan Trailers Warranty:

- Loss of time
- Towing charges
- Lodging
- Gas
- Inconvenience
- Travel expenses
- Telephone
- Loss or damage to personal property or loss of wages

Karavan Trailers, Inc. shall not be liable for any incidental or consequential damages for breach of this or any other warranty expressed or implied.



6 x 10

Model Number:
2990-72-10

KARAVAN

All tube frame

Clean look that provides strength while it also conceals and protects wiring

Todo el marco del tubo
Una apariencia limpia que proporciona fuerza mientras oculta y protege el cableado

Coated self-coiling safety cables

Cables coil out of the way when not in use

Recubrimiento de seguridad en cables enrollable
Los cables salen del camino cuando no están en uso

Molded step fender

2" x 6" Treated deck boards

Protects against decay and termites

Tablas de cubierta tratadas
Protege contra la descomposición y las termitas

Powder coated heavy duty removable ramp

Expanded metal to support the load of the machine of your choice

Pintado en polvo servicio pesado
Metal expandido para soportar la carga de la máquina de su elección

Pivoting rails (Patented)

Allows for side loading and carrying of wider and longer loads

Rieles pivotantes
Permite carga lateral y transporte de cargas más largas y largas

Lockable gate latch system

Tensioner tailgate latch to eliminate road noise from rattling ramp

Sistema de cerrojo con cerradura de puerta
Pestillo de la compuerta trasera para eliminar el ruido de la carretera desde la rampa de trauteo

Sure-Lube bearing system

Clean and easy maintenance; Allows you to change hub grease in minutes

Sistema de cojinete sure lube
Mantenimiento limpio y fácil; Le permite cambiar la grasa del cubo en minutos

All plug fully grounded lighting

No grounding to the frame; eliminates wire shorts (there are no Scotch Locks)

Todo el enchufe Iluminación completamente aterrizada (no hay cerraduras escocesas)

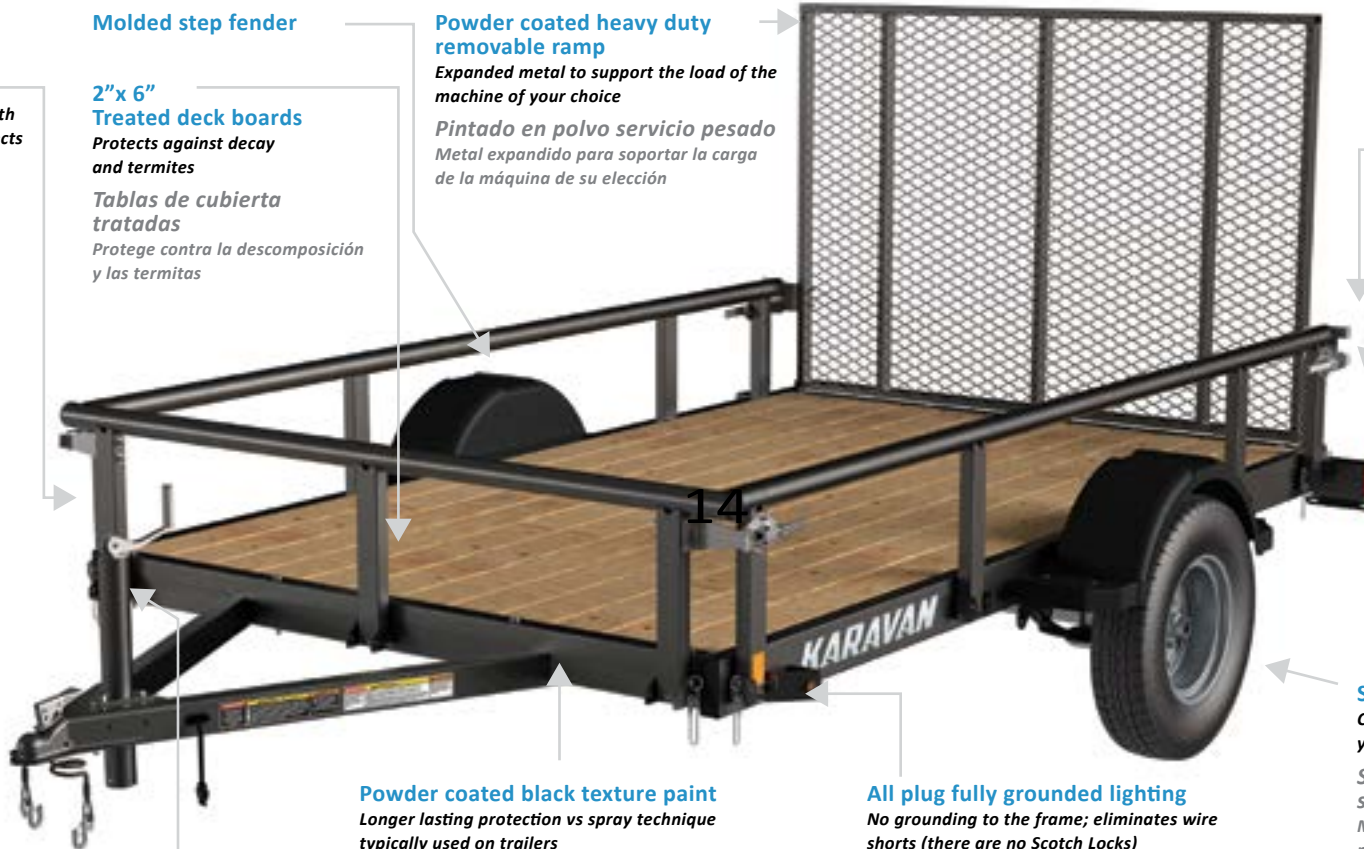
No hay conexión a tierra con el bastidor; Eliminate cortos de alambre

Powder coated black texture paint

Longer lasting protection vs spray technique typically used on trailers

Pintado en polvo negro pintura de la textura
Protección más duradera contra técnica de spray típicamente usada en remolques

A-frame jack



SPECIFICATIONS ESPECIFICACIÓN

Specifications are subject to change. Las especificaciones están sujetas a cambios

Overall Width / Length 96" / 168"
Ancho promedio/Longitud 243.8 cm / 426.7 cm

Bed Width / Length 74" x 120"
Ancho de cama/Longitud 188.0 cm x 304.8 cm

Tailgate Height 49"
Altura del portón trasero 124.4 cm

Tailgate Capacity 2055 lbs
Capacidad del portón trasero 932.1 kg

Hitch Ball Size 2"
Tamaño de la bola de enganche 5.1 cm

Tire Size ST215/75R14C
Tamaño de llanta ST215/75R14C

Trailer Weight 935 lbs
Peso del remolque 424.1 kg

GVWR 2990 lbs
Peso bruto del vehículo 1356.2 kg

Payload Capacity 2055 lbs
Capacidad de carga útil 932.1 kg

KARAVAN

Karavan Trailers, Inc. Warranty Policy

Please register your trailer online at www.karavantrailers.com

A complete Owner's Manual is available online in the Advice & Support / General area. Warranty claims should be submitted online and requests for additional help may also be entered via our website.

When contacting Karavan, please reference the trailer area where help is needed using number guide below.

Karavan Trailers, Inc. warrants each new Karavan Trailer to be free from defects in materials and workmanship for a period of one (1) year from date of purchase or two (2) years from the date of manufacture. Karavan Trailers shall repair or replace, without charge, any parts found to be defective because of imperfect workmanship or materials within a reasonable time after the trailer is returned at purchaser's expense to any Karavan Trailers authorized distributor or dealer. Karavan Trailers will have a limited lifetime warranty against manufacturer defects on the frame.

Who is covered?

This warranty is extended to the original purchaser only and does not extend to any other persons to whom the trailer may be transferred.

Purchased parts such as lights, tongue jacks, and springs are covered based on the manufacturer's discretion.

Warranty on tires shall be made through the nearest representative for the tires.

What is not covered?

Any items that were found modified or altered in any way; nor shall the warranty apply to any defect or malfunction which was caused by damage, unreasonable use, or failure to provide reasonable and necessary maintenance.

The warranty will not cover damage caused by overloading the trailer beyond stated capacities or the use of improperly installed weight distribution hitches in conjunction with hydraulic surge brakes.

Due to the highly corrosive conditions a trailer is exposed to, rust formation is not covered.

Other limitations

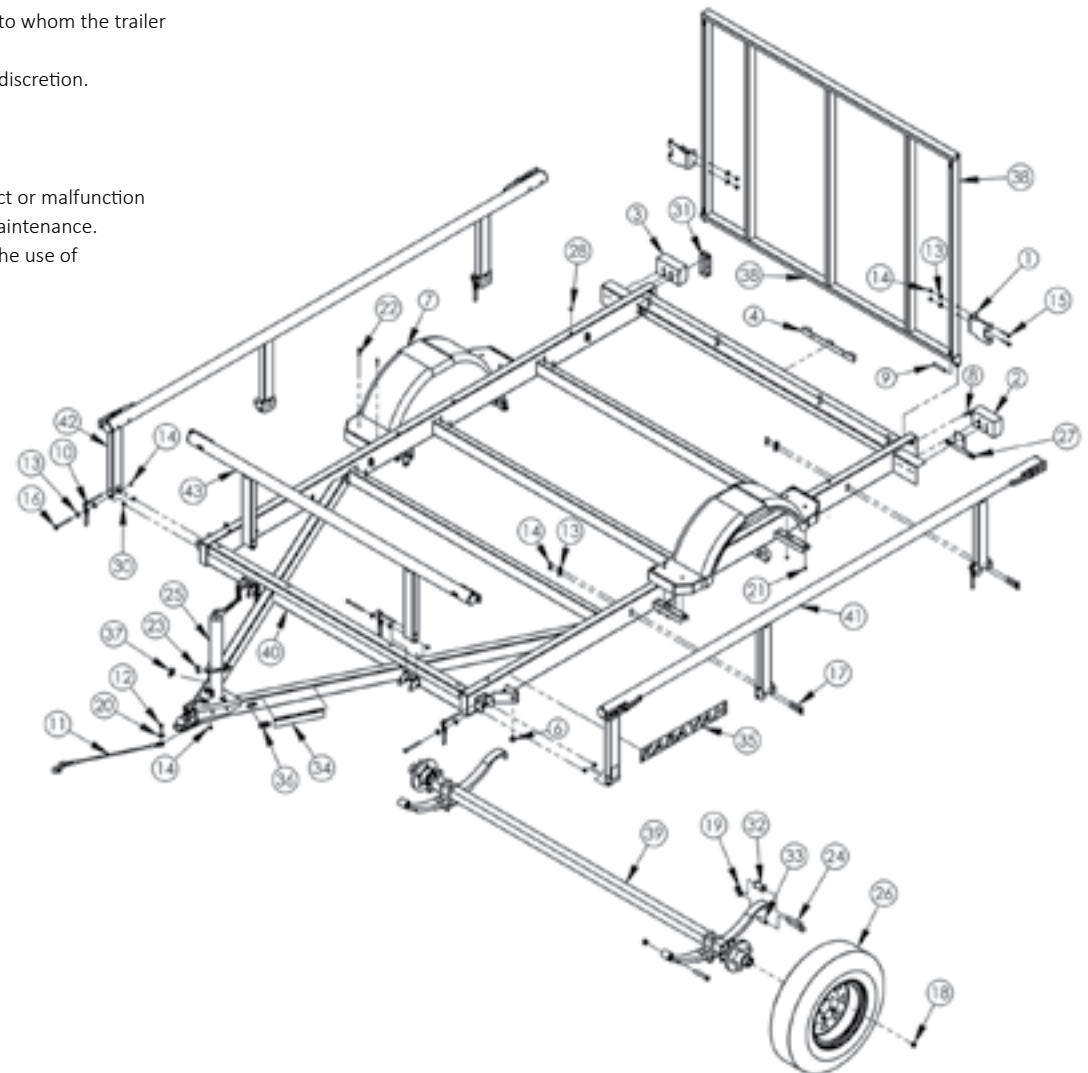
Races, bearings and seals are covered for 180 days from date of purchase. Any implied warranties, obligations, or liabilities, including but not limited to, any implied warranty of merchantability, shall be limited in duration to the two-year duration of the written limited warranty.

Some states do not allow limitation on how long an implied warranty lasts, so the above limitation may not apply to you. The use of any unit as part of a rental fleet, or use for commercial purposes voids this warranty.

The following are exclusions of Karavan Trailers Warranty:

- Loss of time
- Lodging
- Inconvenience
- Telephone
- Towing charges
- Gas
- Travel expenses
- Loss or damage to personal property or loss of wages

Karavan Trailers, Inc. shall not be liable for any incidental or consequential damages for breach of this or any other warranty expressed or implied.



5 x 10

Model Number:
2990-60-10

KARAVAN



All tube frame
Clean look that provides strength while it also conceals and protects wiring

Todo el marco del tubo
Una apariencia limpia que proporciona fuerza mientras oculta y protege el cableado

Coated self-coiling safety cables
Cables coil out of the way when not in use

Recubrimiento de seguridad en cables enrollable
Los cables salen del camino cuando no están en uso

Molded step fender

2" Treated deck boards
Protects against decay and termites

Tablas de cubierta tratadas
Protege contra la descomposición y las termitas

Powder coated heavy duty removable ramp

Expanded metal to support the load of the machine of your choice

Pintado en polvo servicio pesado
Metal expandido para soportar la carga de la máquina de su elección

New longer ramp for easier loading
Nueva rampa mas larga

Pivoting rails (Patented)
Allows for side loading and carrying of wider and longer loads

Rieles pivotantes
Permite carga lateral y transporte de cargas más largas y largas

Lockable gate latch system
Tensioner tailgate latch to eliminate road noise from rattling ramp

Sistema de cerrojo con cerradura de puerta
Pestillo de la compuerta trasera para eliminar el ruido de la carretera desde la rampa de trauteo

Sure-Lube bearing system
Clean and easy maintenance; Allows you to change hub grease in minutes

Sistema de cojinete sure lube
Mantenimiento limpio y fácil; Le permite cambiar la grasa del cubo en minutos

A-frame jack

Powder coated black texture paint
Longer lasting protection vs spray technique typically used on trailers

Pintado en polvo negro pintura de la textura
Protección más duradera contra técnica de spray típicamente usada en remolques

All plug fully grounded LED lighting
No grounding to the frame; eliminates wire shorts (there are no Scotch Locks)

Todo el enchufe Iluminación LED completamente aterrizada (no hay cerraduras escocesas)
No hay conexión a tierra con el bastidor; Eliminate cortos de alambre

Premium Wheels

Aluminum rims and radial tires
Ruedas de primera calidad
Llantas de aluminio y neumáticos radiales

SPECIFICATIONS

ESPECIFICACIÓN

Specifications are subject to change. Las especificaciones están sujetas a cambios

Overall Width / Length
Ancho promedio/Longitud 82" / 168"
218.4 cm / 426.7 cm

Bed Width / Length
Ancho de cama/Longitud 60" x 120"
152.4 cm x 304.8 cm

Tailgate Height
Altura del portón trasero 49"
124.4 cm

Tailgate Capacity
Capacidad del portón trasero 2241 lbs
1016.5 kg

Hitch Ball Size
Tamaño de la bola de enganche 2"
5.1 cm

Tire Size
Tamaño de llanta ST205/75R14C
ST205/75R14C

Trailer Weight
Peso del remolque 749 lbs
339.7 kg

GVWR
Peso bruto del vehículo 2990 lbs
1356.2 kg

Payload Capacity
Capacidad de carga útil 2241 lbs
1016.5 kg

KARAVAN

Karavan Trailers, LLC Warranty Policy

Please register your trailer online at www.karavantrailers.com

A complete Owner's Manual is available online in the Advice & Support / General area. Warranty claims should be submitted online and requests for additional help may also be entered via our website.

When contacting Karavan, please reference the trailer area where help is needed using number guide below.

Karavan Trailers, LLC warrants each new Karavan Trailer to be free from defects in materials and workmanship for a period of one (1) year from date of purchase or two (2) years from the date of manufacture. Karavan Trailers shall repair or replace, without charge, any parts found to be defective because of imperfect workmanship or materials within a reasonable time after the trailer is returned at purchaser's expense to any Karavan Trailers authorized distributor or dealer. Karavan Trailers will have a limited lifetime warranty against manufacturer defects on the frame.

Who is covered?

This warranty is extended to the original purchaser only and does not extend to any other persons to whom the trailer may be transferred.

Purchased parts such as lights, tongue jacks, and springs are covered based on the manufacturer's discretion.

Warranty on tires shall be made through the nearest representative for the tires.

What is not covered?

Any items that were found modified or altered in any way; nor shall the warranty apply to any defect or malfunction which was caused by damage, unreasonable use, or failure to provide reasonable and necessary maintenance.

The warranty will not cover damage caused by overloading the trailer beyond stated capacities or the use of improperly installed weight distribution hitches in conjunction with hydraulic surge brakes.

Due to the highly corrosive conditions a trailer is exposed to, rust formation is not covered.

Other limitations

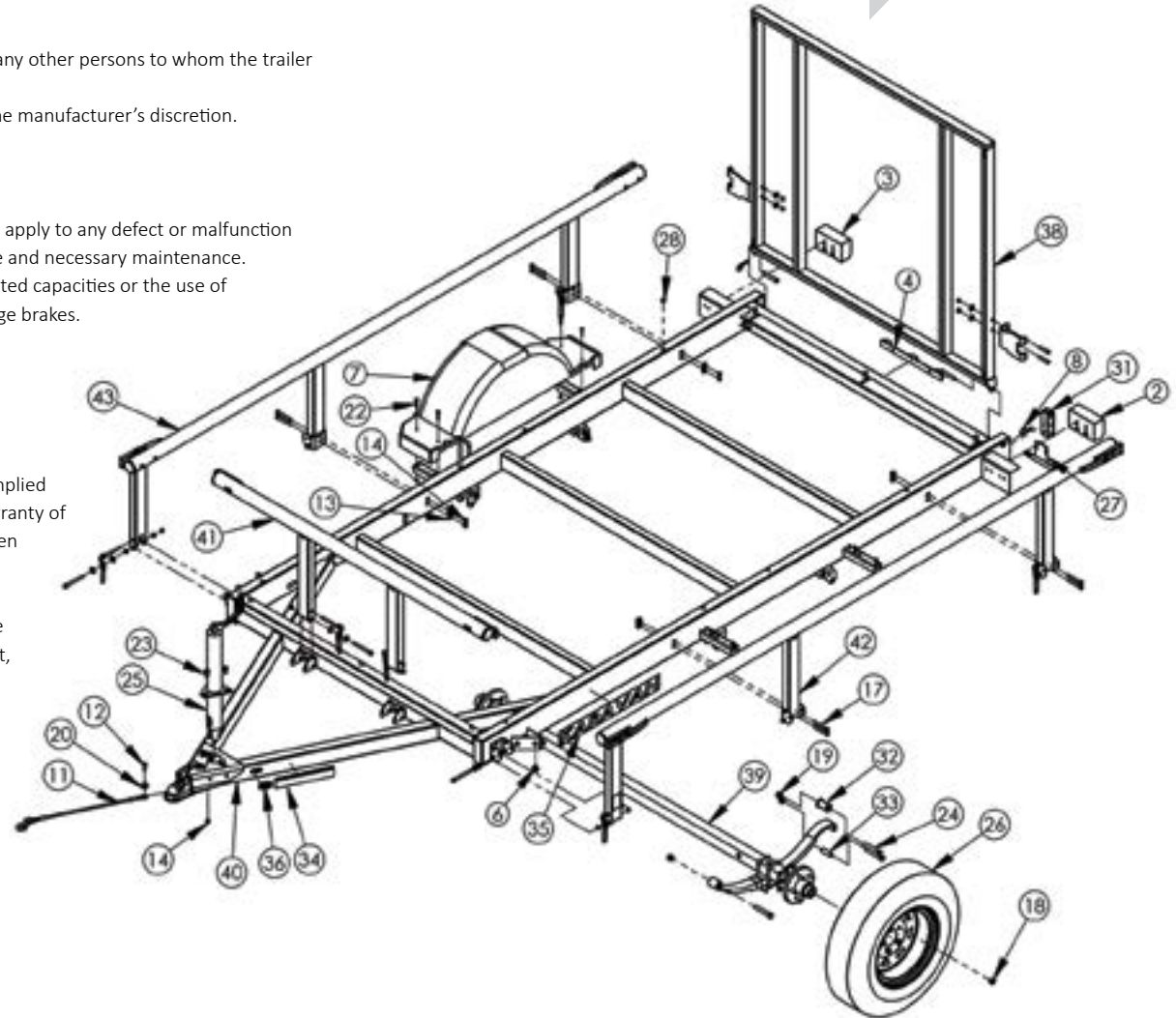
Races, bearings and seals are covered for 180 days from date of purchase. Any implied warranties, obligations, or liabilities, including but not limited to, any implied warranty of merchantability, shall be limited in duration to the two-year duration of the written limited warranty.

Some states do not allow limitation on how long an implied warranty lasts, so the above limitation may not apply to you. The use of any unit as part of a rental fleet, or use for commercial purposes voids this warranty.

The following are exclusions of Karavan Trailers Warranty:

- Loss of time
- Lodging
- Inconvenience
- Telephone
- Towing charges
- Gas
- Travel expenses
- Loss or damage to personal property or loss of wages

Karavan Trailers, LLC shall not be liable for any incidental or consequential damages for breach of this or any other warranty expressed or implied.



5 x 10

Model Number:
2990-60-10

KARAVAN



All tube frame

Clean look that provides strength while it also conceals and protects wiring

*Todo el marco del tubo
Una apariencia limpia que proporciona fuerza mientras oculta y protege el cableado*

Molded step fender

2" x 6" Treated deck boards
Protects against decay and termites

*Tablas de cubierta tratadas
Protege contra la descomposición y las termitas*

Powder coated heavy duty removable ramp

Expanded metal to support the load of the machine of your choice

*Pintado en polvo servicio pesado
Metal expandido para soportar la carga de la máquina de su elección*

New longer ramp for easier loading

Nueva rampa mas larga

Pivoting rails (Patented)

Allows for side loading and carrying of wider and longer loads

*Rieles pivotantes
Permite carga lateral y transporte de cargas más largas y largas*

Lockable gate latch system

Tensioner tailgate latch to eliminate road noise from rattling ramp

Sistema de cerrojo con cerradura de puerta

Pestillo de la compuerta trasera para eliminar el ruido de la carretera desde la rampa de trauteo

Sure-Lube bearing system

Clean and easy maintenance; Allows you to change hub grease in minutes

Sistema de cojinete sure lube

Mantenimiento limpio y fácil; Le permite cambiar la grasa del cubo en minutos

All plug fully grounded lighting

No grounding to the frame; eliminates wire shorts (there are no Scotch Locks)

Todo el enchufe Iluminación completamente aterrizada (no hay cerraduras escocesas)

No hay conexión a tierra con el bastidor; Eliminate cortos de alambre

Powder coated black texture paint

Longer lasting protection vs spray technique typically used on trailers

Pintado en polvo negro pintura de la textura

Protección más duradera contra técnica de spray típicamente usada en remolques

A-frame jack

Coated self-coiling safety cables

Cables coil out of the way when not in use

Recubrimiento de seguridad en cables enrollable

Los cables salen del camino cuando no están en uso

SPECIFICATIONS

ESPECIFICACIÓN

Specifications are subject to change. Las especificaciones están sujetas a cambios

Overall Width / Length
Ancho promedio/Longitud

82" / 168"
218.4 cm / 426.7 cm

Bed Width / Length
Ancho de cama/Longitud

60" x 120"
152.4 cm x 304.8 cm

Tailgate Height
Altura del portón trasero

49"
124.4 cm

Tailgate Capacity
Capacidad del portón trasero

2241 lbs
1016.5 kg

Hitch Ball Size
Tamaño de la bola de enganche

2"
5.1 cm

Tire Size
Tamaño de llanta

ST215/75D14C
ST215/75D14C

Trailer Weight
Peso del remolque

749 lbs
339.7 kg

GVWR
Peso bruto del vehículo

2990 lbs
1356.2 kg

Payload Capacity
Capacidad de carga útil

2241 lbs
1016.5 kg

KARAVAN

Karavan Trailers, Inc. Warranty Policy

Please register your trailer online at www.karavantrailers.com

A complete Owner's Manual is available online in the Advice & Support / General area. Warranty claims should be submitted online and requests for additional help may also be entered via our website.

When contacting Karavan, please reference the trailer area where help is needed using number guide below.

Karavan Trailers, Inc. warrants each new Karavan Trailer to be free from defects in materials and workmanship for a period of one (1) year from date of purchase or two (2) years from the date of manufacture. Karavan Trailers shall repair or replace, without charge, any parts found to be defective because of imperfect workmanship or materials within a reasonable time after the trailer is returned at purchaser's expense to any Karavan Trailers authorized distributor or dealer. Karavan Trailers will have a limited lifetime warranty against manufacturer defects on the frame.

Who is covered?

This warranty is extended to the original purchaser only and does not extend to any other persons to whom the trailer may be transferred.

Purchased parts such as lights, tongue jacks, and springs are covered based on the manufacturer's discretion.

Warranty on tires shall be made through the nearest representative for the tires.

What is not covered?

Any items that were found modified or altered in any way; nor shall the warranty apply to any defect or malfunction which was caused by damage, unreasonable use, or failure to provide reasonable and necessary maintenance.

The warranty will not cover damage caused by overloading the trailer beyond stated capacities or the use of improperly installed weight distribution hitches in conjunction with hydraulic surge brakes.

Due to the highly corrosive conditions a trailer is exposed to, rust formation is not covered.

Other limitations

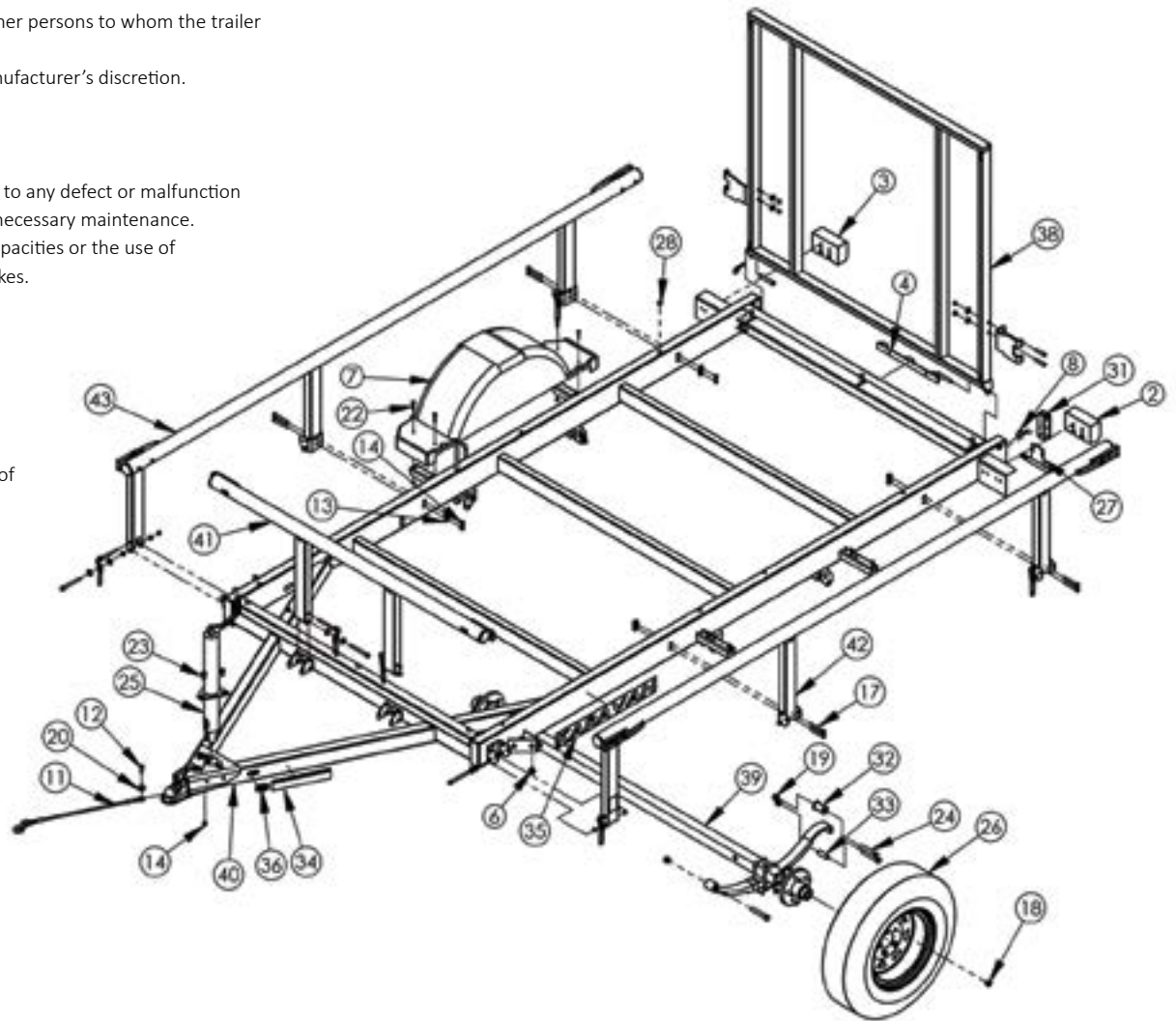
Races, bearings and seals are covered for 180 days from date of purchase. Any implied warranties, obligations, or liabilities, including but not limited to, any implied warranty of merchantability, shall be limited in duration to the two-year duration of the written limited warranty.

Some states do not allow limitation on how long an implied warranty lasts, so the above limitation may not apply to you. The use of any unit as part of a rental fleet, or use for commercial purposes voids this warranty.

The following are exclusions of Karavan Trailers Warranty:

- Loss of time
- Lodging
- Inconvenience
- Telephone
- Towing charges
- Gas
- Travel expenses
- Loss or damage to personal property or loss of wages

Karavan Trailers, Inc. shall not be liable for any incidental or consequential damages for breach of this or any other warranty expressed or implied.



5x8

Model Number:
2000-60-8-LU

KARAVAN

All tube and roll formed frame
Clean look that provides strength while it also conceals and protects wiring

Todo el marco del tubo
Una apariencia limpia que proporciona fuerza mientras oculta y protege el cableado

2" x 6" Treated deck boards
Protects against decay and termites

Tablas de cubierta tratadas
Protege contra la descomposición y las termitas

Coated self-coiling safety cables
Cables coil out of the way when not in use

Recubrimiento de seguridad en cables enrollable
Los cables salen del camino cuando no están en uso

Sliding rails
Allows for side loading and carrying of wider and longer loads

Rieles pivotantes
Permite carga lateral y transporte de cargas más largas y largas

Molded fender

Powder coated heavy duty removable ramp

Expanded metal to support the load of the machine of your choice

Pintado en polvo servicio pesado
Metal expandido para soportar la carga de la máquina de su elección

Lockable gate latch system

Tensioner tailgate latch to eliminate road noise from rattling ramp

Sistema de cerrojo con cerradura de puerta

Pestillo de la compuerta trasera para eliminar el ruido de la carretera desde la rampa de traqueteo

Sure-Lube bearing system

Clean and easy maintenance; Allows you to change hub grease in minutes

Sistema de cojinete sure lube

Mantenimiento limpio y fácil; Le permite cambiar la grasa del cubo en minutos

All plug fully grounded lighting
No grounding to the frame; eliminates wire shorts (there are no Scotch Locks)

Todo el enchufe iluminación completamente aterrizada (no hay cerraduras escocesas)
No hay conexión a tierra con el bastidor; Elimina cortes de alambre

Powder coated black texture paint
Longer lasting protection vs spray technique typically used on trailers

Pintado en polvo negro pintura de la textura
Protección más duradera contra técnica de spray típicamente usada en remolques



SPECIFICATIONS ESPECIFICACIÓN

Specifications are subject to change. Las especificaciones están sujetas a cambios

Overall Width / Length Ancho promedio/Longitud	76" / 142" 193 cm / 363.2 cm
Bed Width / Length Ancho de cama/Longitud	60" x 96" 152.4 cm x 243.8 cm
Tailgate Height Altura del portón trasero	36" 111.7 cm

Tailgate Capacity Capacidad del portón trasero	1500lbs 672.7 kg
Hitch Ball Size Tamaño de la bola de enganche	2" 5.1 cm
Tire Size Tamaño de llanta	4.80x12C 4.80x12C

Trailer Weight Peso del remolque	500lbs 234.5 kg
GVWR Peso bruto del vehículo	2000 lbs 907.1 kg
Payload Capacity Capacidad de carga útil	1500lbs 672.7 kg

KARAVAN

Karavan Trailers, LLC Warranty Policy

Please register your trailer online at www.karavantrailers.com

A complete Owner's Manual is available online in the Advice & Support / General area. Warranty claims should be submitted online and requests for additional help may also be entered via our website.

When contacting Karavan, please reference the trailer area where help is needed using number guide below.

Karavan Trailers, LLC warrants each new Karavan Trailer to be free from defects in materials and workmanship for a period of one (1) year from date of purchase or two (2) years from the date of manufacture. Karavan Trailers shall repair or replace, without charge, any parts found to be defective because of imperfect workmanship or materials within a reasonable time after the trailer is returned at purchaser's expense to any Karavan Trailers authorized distributor or dealer. Karavan Trailers will have a limited lifetime warranty against manufacturer defects on the frame.

Who is covered?

This warranty is extended to the original purchaser only and does not extend to any other persons to whom the trailer may be transferred.

Purchased parts such as lights, tongue jacks, and springs are covered based on the manufacturer's discretion.

Warranty on tires shall be made through the nearest representative for the tires.

What is not covered?

Any items that were found modified or altered in any way; nor shall the warranty apply to any defect or malfunction which was caused by damage, unreasonable use, or failure to provide reasonable and necessary maintenance.

The warranty will not cover damage caused by overloading the trailer beyond stated capacities or the use of improperly installed weight distribution hitches in conjunction with hydraulic surge brakes.

Due to the highly corrosive conditions a trailer is exposed to, rust formation is not covered.

Other limitations

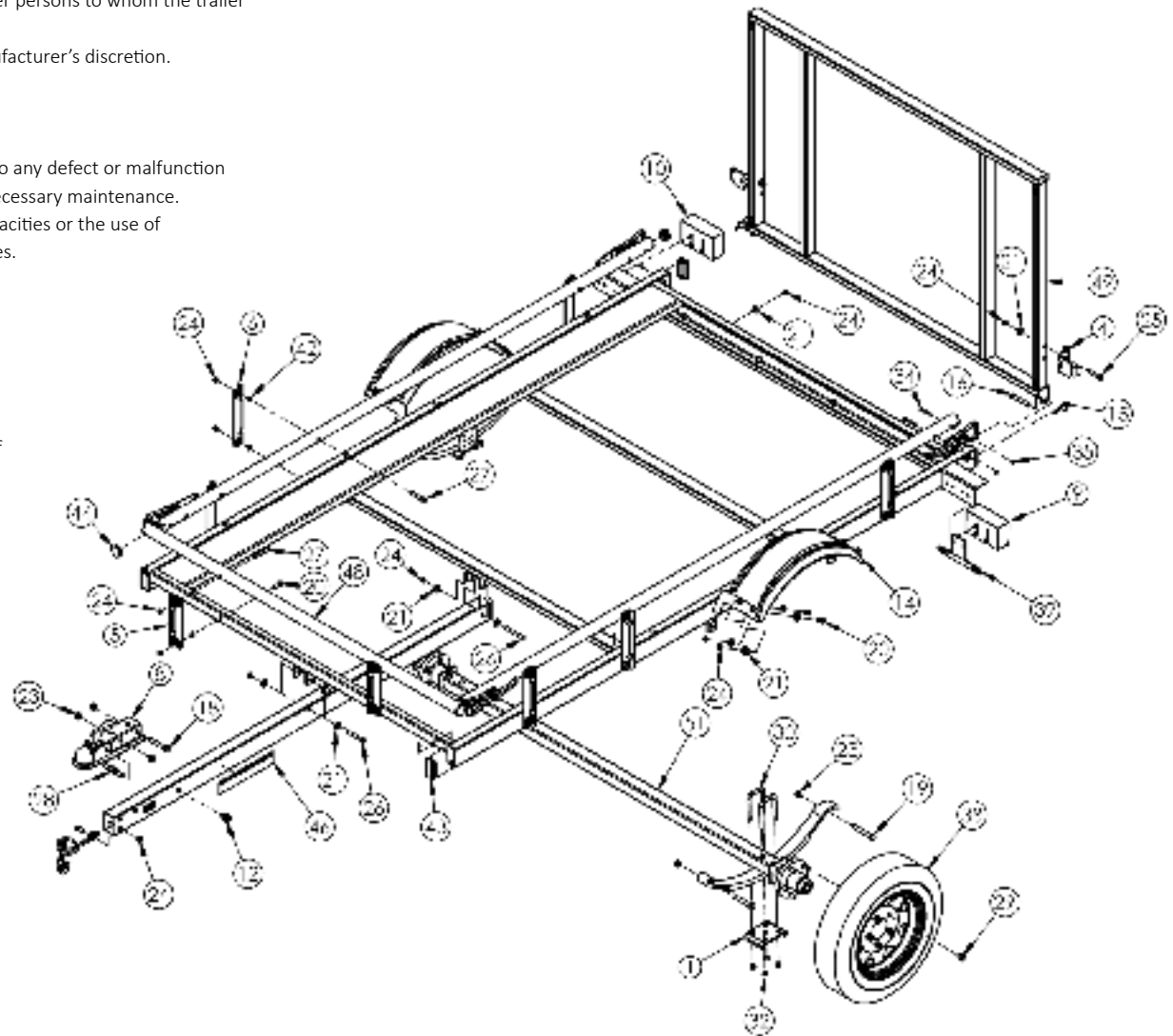
Races, bearings and seals are covered for 180 days from date of purchase. Any implied warranties, obligations, or liabilities, including but not limited to, any implied warranty of merchantability, shall be limited in duration to the two-year duration of the written limited warranty.

Some states do not allow limitation on how long an implied warranty lasts, so the above limitation may not apply to you. The use of any unit as part of a rental fleet, or use for commercial purposes voids this warranty.

The following are exclusions of Karavan Trailers Warranty:

- Loss of time
- Lodging
- Inconvenience
- Telephone
- Towing charges
- Gas
- Travel expenses
- Loss or damage to personal property or loss of wages

Karavan Trailers, LLC shall not be liable for any incidental or consequential damages for breach of this or any other warranty expressed or implied.



5x8

Model Number:
2000-60-8

KARAVAN



SPECIFICATIONS

ESPECIFICACIÓN

Specifications are subject to change. Las especificaciones están sujetas a cambios

Overall Width / Length Ancho promedio/Longitud	76" / 143" 193 cm / 363.2 cm
Bed Width / Length Ancho de cama/Longitud	60" x 96" 152.4 cm x 243.8 cm
Tailgate Height Altura del portón trasero	44" 111.7 cm

Tailgate Capacity Capacidad del portón trasero	1483 lbs 672.7 kg
Hitch Ball Size Tamaño de la bola de enganche	2" 5.1 cm
Tire Size Tamaño de llanta	ST145/R12D ST145/R12D

Trailer Weight Peso del remolque	517 lbs 234.5 kg
GVWR Peso bruto del vehículo	2000 lbs 907.1 kg
Payload Capacity Capacidad de carga útil	1483 lbs 672.7 kg

KARAVAN

Karavan Trailers, LLC Warranty Policy

Please register your trailer online at www.karavantrailers.com

A complete Owner's Manual is available online in the Advice & Support / General area. Warranty claims should be submitted online and requests for additional help may also be entered via our website.

When contacting Karavan, please reference the trailer area where help is needed using number guide below.

Karavan Trailers, LLC warrants each new Karavan Trailer to be free from defects in materials and workmanship for a period of one (1) year from date of purchase or two (2) years from the date of manufacture. Karavan Trailers shall repair or replace, without charge, any parts found to be defective because of imperfect workmanship or materials within a reasonable time after the trailer is returned at purchaser's expense to any Karavan Trailers authorized distributor or dealer. Karavan Trailers will have a limited lifetime warranty against manufacturer defects on the frame.

Who is covered?

This warranty is extended to the original purchaser only and does not extend to any other persons to whom the trailer may be transferred.

Purchased parts such as lights, tongue jacks, and springs are covered based on the manufacturer's discretion.

Warranty on tires shall be made through the nearest representative for the tires.

What is not covered?

Any items that were found modified or altered in any way; nor shall the warranty apply to any defect or malfunction which was caused by damage, unreasonable use, or failure to provide reasonable and necessary maintenance.

The warranty will not cover damage caused by overloading the trailer beyond stated capacities or the use of improperly installed weight distribution hitches in conjunction with hydraulic surge brakes.

Due to the highly corrosive conditions a trailer is exposed to, rust formation is not covered.

Other limitations

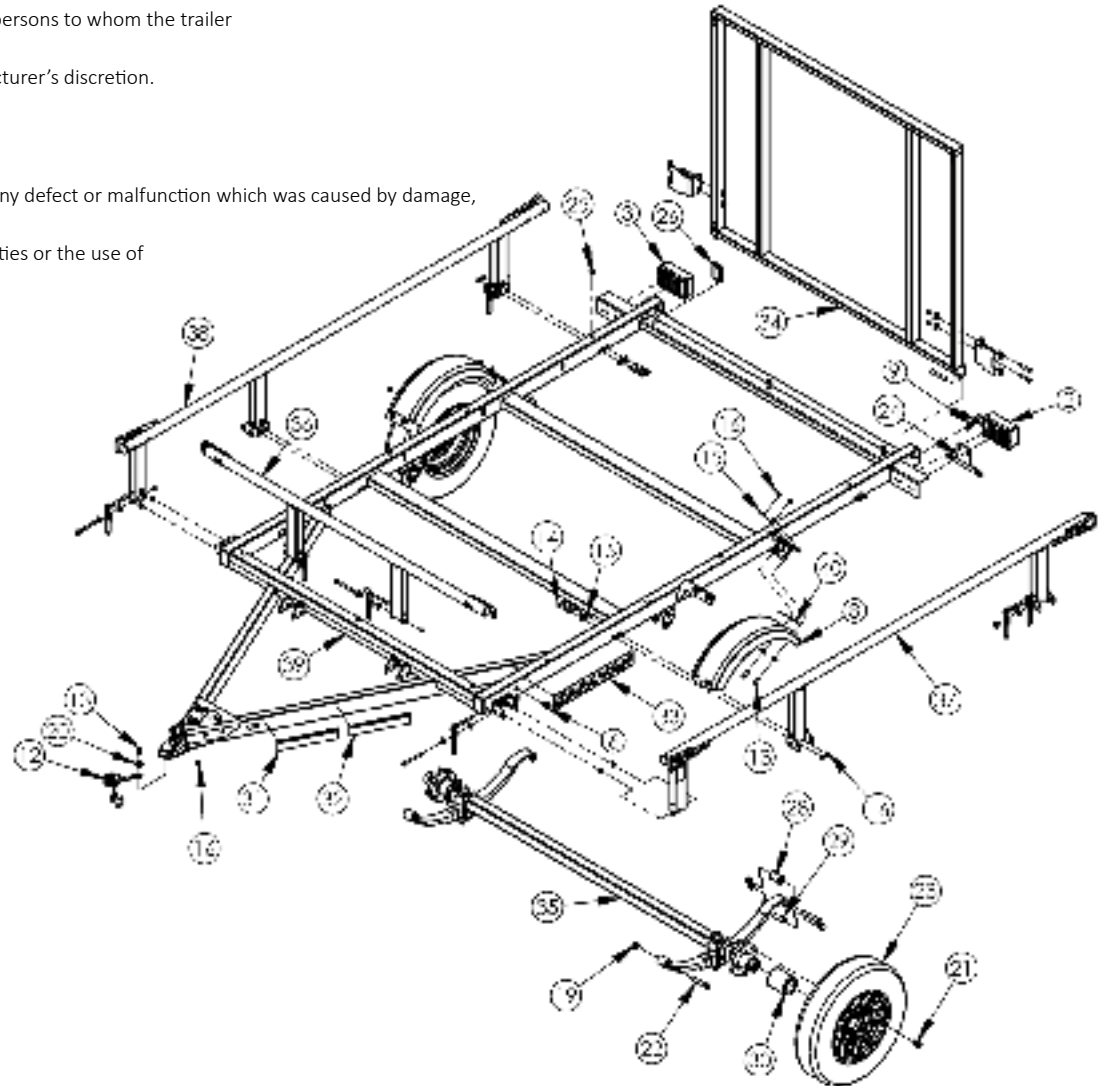
Races, bearings and seals are covered for 180 days from date of purchase. Any implied warranties, obligations, or liabilities, including but not limited to, any implied warranty of merchantability, shall be limited in duration to the two-year duration of the written limited warranty.

Some states do not allow limitation on how long an implied warranty lasts, so the above limitation may not apply to you. The use of any unit as part of a rental fleet, or use for commercial purposes voids this warranty.

The following are exclusions of Karavan Trailers Warranty:

- Loss of time
- Lodging
- Inconvenience
- Telephone
- Towing charges
- Gas
- Travel expenses
- Loss or damage to personal property or loss of wages

Karavan Trailers, LLC shall not be liable for any incidental or consequential damages for breach of this or any other warranty expressed or implied.



5x8

Model Number:
2000-60-8-HD

KARAVAN



Molded step fender

Powder coated heavy duty removable ramp

New longer ramp for easier loading
Nueva rampa mas larga

All tube frame

Clean look that provides strength while it also conceals and protects wiring

*Todo el marco del tubo
Una apariencia limpia que proporciona fuerza mientras oculta y protege el cableado*

5/4" Treated deck boards

Protects against decay and termites

*Tablas de cubierta tratadas
Protege contra la descomposición y las termitas*

Expanded metal to support the load of the machine of your choice

*Pintado en polvo servicio pesado
Metal expandido para soportar la carga de la máquina de su elección*

Pivoting rails (Patented)

Allows for side loading and carrying of wider and longer loads

*Rieles pivotantes
Permite carga lateral y transporte de cargas más largas y largas*

Lockable gate latch system

Tensioner tailgate latch to eliminate road noise from rattling ramp

Sistema de cerrojo con cerradura de puerta

Pestillo de la compuerta trasera para eliminar el ruido de la carretera desde la rampa de trauteo

Coated self-coiling safety cables

Cables coil out of the way when not in use

Recubrimiento de seguridad en cables enrollable

Los cables salen del camino cuando no están en uso

Sure-Lube bearing system

Clean and easy maintenance; Allows you to change hub grease in minutes

Sistema de cojinete sure lube

Mantenimiento limpio y fácil; Le permite cambiar la grasa del cubo en minutos

A-frame jack

(Shown with optional tongue jack)

Powder coated black texture paint

Longer lasting protection vs spray technique typically used on trailers

Pintado en polvo negro pintura de la textura

Protección más duradera contra técnica de spray típicamente usada en remolques

All plug fully grounded LED lighting

No grounding to the frame; eliminates wire shorts (there are no Scotch Locks)

Todo el enchufe Iluminación LED completamente aterrizada (no hay cerraduras escocesas)

No hay conexión a tierra con el bastidor; Eliminate cortos de alambre

SPECIFICATIONS

ESPECIFICACIÓN

Specifications are subject to change. Las especificaciones están sujetas a cambios

Overall Width / Length
Ancho promedio/Longitud 80" / 143"
203.2 cm / 363.2 cm

Bed Width / Length
Ancho de cama/Longitud 60" x 96"
152.4 cm x 243.8 cm

Tailgate Height
Altura del portón trasero 49"
124.4 cm

Tailgate Capacity
Capacidad del portón trasero 1478 lbs
670.4 kg

Hitch Ball Size
Tamaño de la bola de enganche 2"
5.1 cm

Tire Size
Tamaño de llanta ST175/80D13B
ST175/80D13B

Trailer Weight
Peso del remolque 570lbs
236.8 kg

GVWR
Peso bruto del vehículo 2000 lbs
907.2 kg

Payload Capacity
Capacidad de carga útil 1478 lbs
670.4 kg

KARAVAN

Karavan Trailers, LLC Warranty Policy

Please register your trailer online at www.karavantrailers.com

A complete Owner's Manual is available online in the Advice & Support / General area. Warranty claims should be submitted online and requests for additional help may also be entered via our website.

When contacting Karavan, please reference the trailer area where help is needed using number guide below.

Karavan Trailers, LLC warrants each new Karavan Trailer to be free from defects in materials and workmanship for a period of one (1) year from date of purchase or two (2) years from the date of manufacture. Karavan Trailers shall repair or replace, without charge, any parts found to be defective because of imperfect workmanship or materials within a reasonable time after the trailer is returned at purchaser's expense to any Karavan Trailers authorized distributor or dealer. Karavan Trailers will have a limited lifetime warranty against manufacturer defects on the frame.

Who is covered?

This warranty is extended to the original purchaser only and does not extend to any other persons to whom the trailer may be transferred.

Purchased parts such as lights, tongue jacks, and springs are covered based on the manufacturer's discretion.

Warranty on tires shall be made through the nearest representative for the tires.

What is not covered?

Any items that were found modified or altered in any way; nor shall the warranty apply to any defect or malfunction which was caused by damage, unreasonable use, or failure to provide reasonable and necessary maintenance.

The warranty will not cover damage caused by overloading the trailer beyond stated capacities or the use of improperly installed weight distribution hitches in conjunction with hydraulic surge brakes.

Due to the highly corrosive conditions a trailer is exposed to, rust formation is not covered.

Other limitations

Races, bearings and seals are covered for 180 days from date of purchase. Any implied warranties, obligations, or liabilities, including but not limited to, any implied warranty of merchantability, shall be limited in duration to the two-year duration of the written limited warranty.

Some states do not allow limitation on how long an implied warranty lasts, so the above limitation may not apply to you. The use of any unit as part of a rental fleet, or use for commercial purposes voids this warranty.

The following are exclusions of Karavan Trailers Warranty:

- Loss of time
- Lodging
- Inconvenience
- Telephone
- Towing charges
- Gas
- Travel expenses
- Loss or damage to personal property or loss of wages

Karavan Trailers, LLC shall not be liable for any incidental or consequential damages for breach of this or any other warranty expressed or implied.

